

TEAC

SERVICE MANUAL

EX-M1

CD Receiver System



NOTES

- PC board shown are viewed from parts side.
- The parts with no reference number or no parts number in the exploded views are not supplied.
- As regards the resistors and capacitors, refer to the circuit diagrams contained in this manual.
- ⚠ Parts marked with this sign are safety critical components. they must be replaced with identical components - refer to the appropriate parts list and ensure exact replacement.

CONTENTS

1 SAFETY INFORMATION	2
2 SPECIFICATIONS	3
3 ADJUSTMENT AND CHECKS	4
4 EXPLODED VIEW AND PARTS LIST	6
5 PC BOARDS AND PARTS LISTS	10
6 WIRING DIAGRAM	16
7 INCLUDED ACCESSORIES	18

1 SAFETY INFORMATION

SAFETY INFORMATION

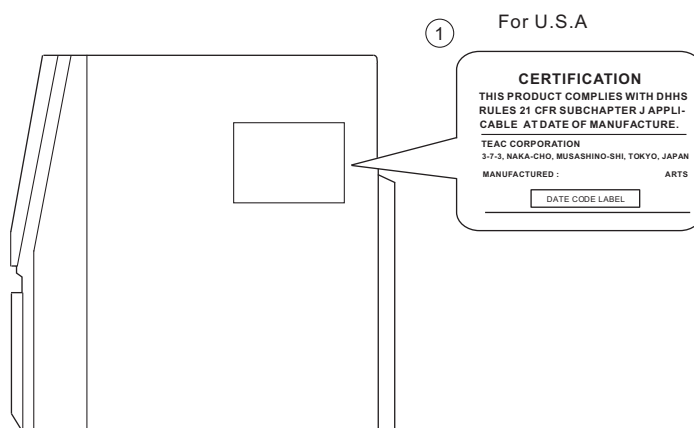
This product has been designed and manufactured according to FDA regulations "title 21, CFR, chapter 1, subchapter J, based on the Radiation Control for Health and Safety Act of 1968" and is classified as class 1 laser product. There is not hazardous invisible laser radiation during operation because invisible laser radiation emitted inside of this product is completely confined in the protective housings. The label required in this regulation is shown ①.

• **CAUTION**

USE OF CONTROLS OR ADJUSTMENT OR PERFORMANCE OF PROCEDURES OTHER THAN THOSE SPECIFIED HEREIN MAY RESULT IN HAZARDOUS RADIATION EXPOSURE.

DO NOT REMOVE THE PROTECTIVE HOUSING USING SCREWDRIVER.

IF THIS PRODUCT DEVELOPS TROUBLE, MAKE A CONTACT WITH OUR SERVICE MAN, AND DO NOT USE THE PRODUCT IN A TROUBLED STATE.



Optical pickup:	Type :	SF-P200Z
	Manufacturer :	SANYO Electric Co., Ltd.
	Laser output :	Less than 0.5 mW on the objective lens
	Wavelength :	765- 815 nm

2 SPECIFICATIONS

CD PLAYER Section

Pickup:	3-beam pick-up
Wavelength :	790 nm
Audio frequency response :	20 Hz ~22 kHz

CASSETTE DECK Section

Track System:	4 track, 2 channel stereo
Tape Speed:	4.76 cm/sec
Wow and Flutter:	0.4% or less

TUNER Section

System :	PLL quartz-locked digital synthesizer system
Tuning range :	FM : 87.50~ 108.0 MHz (100kHz step) AM : 530 to 1710 kHz (10 kHz step)
Antenna :	FM pigtail antenna AM bar antenna(built-in)

SPEAKER SYSTEM Section

System:	2-way shielded box
Impedance:	3 ohm
Dimension (W x H x D):	(5-3/4 x 9-3/16 x 7-7/8) inches 146 x 233 x 200 mm
Weight:	5-7/16lb (2.45 kg)

GENERAL

Output power:	5W x 2
Power requirements:	120V AC, 60Hz
Power consumption:	25W
Dimension (W x H x D):	(5-7/8 x 9-3/16 x 8-9/16) inches 150 x 233 x 218 mm
Weight:	3-5/8lb (1.65 kg)

Standard Accessories:	Remote Control Unit(RC-872) x 1 Owner's Manual x 1 Warranty Card x 1
------------------------------	--

- Design and specifications are subject to change without notice.
- Photos and illustrations may differ slightly from production models.

EX-M1

3 ADJUSTMENTS AND CHECKS

3-1 TUNER SECTION

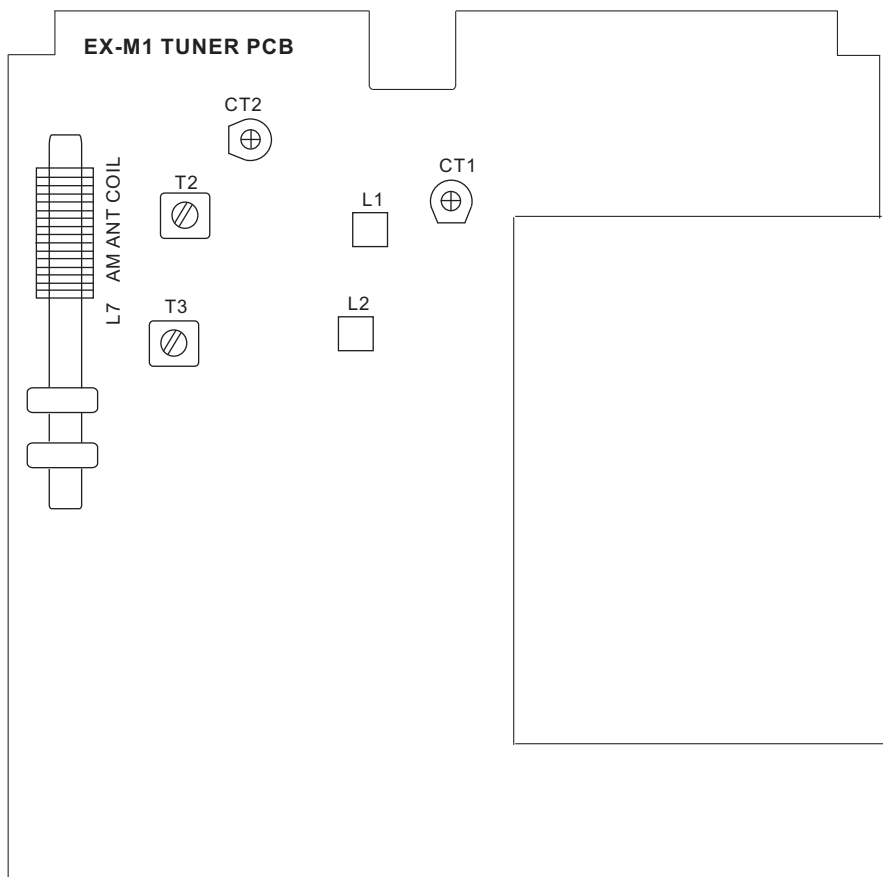
- Use a screwdriver with a plastic or ceramic grip for all adjustment.

3-1-1 FM adjustment

1. Set the function switch to the FM position.
2. Connect the signal generator output through a 75 ohm dummy antenna to "ANT" on MAIN PCB.
3. Connect the oscilloscope to the speaker terminal.
4. Set the signal generator as listed in the alignment chart.

3-1-2 AM adjustment

1. Set the function switch to the AM position.
2. Connect the test loop antenna across the output of the signal generator.
3. Connect the oscilloscope to the speaker terminal.
4. Set the signal generator as listed in the alignment chart.

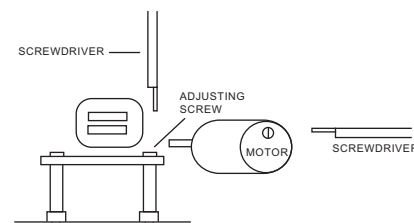


3-1-3 FM/AM alignment chart

ITEM	SG SETTING	TUNER SETTING	ADJUSTMENT POINT	ADJUSTMENT
FM				
1. FM band	87.5MHz 1kHz, +/-22.5kHz dev.	87.5MHz	L2	Adjust for max.output.
2. Tracking	90MHz 1kHz, +/-22.5kHz dev.	90MHz	L1	Adjust for max. output and best waveform.
	106MHz 1kHz, +/-22.5kHz dev.	106MHz	CT1	
	Repeat step 2			
AM				
1. IF adjustment	450kHz 1kHz, 30% mod	600kHz	T3	Adjust for max.output.
2. AM band	530kHz 1kHz, 30% mod	530kHz	T2	Adjust for max. output.
3. Tracking	600kHz 1kHz, 30% mod	600kHz	L7 AM ANT COIL	Adjust for max. output and best waveform.
	1400kHz 1kHz, 30% mod	1400kHz	CT2	
	Repeat step 3			

3-2 CASSETTE SECTION

1. Set the FUNCTION SELECTOR SWITCH TO TAPE.
2. Connect a Scope & VTVM across the speaker output.
3. Insert the 8KHz tape into cassette deck and push play BUTTON.
4. ADJUST HEAD for speaker maximum output.



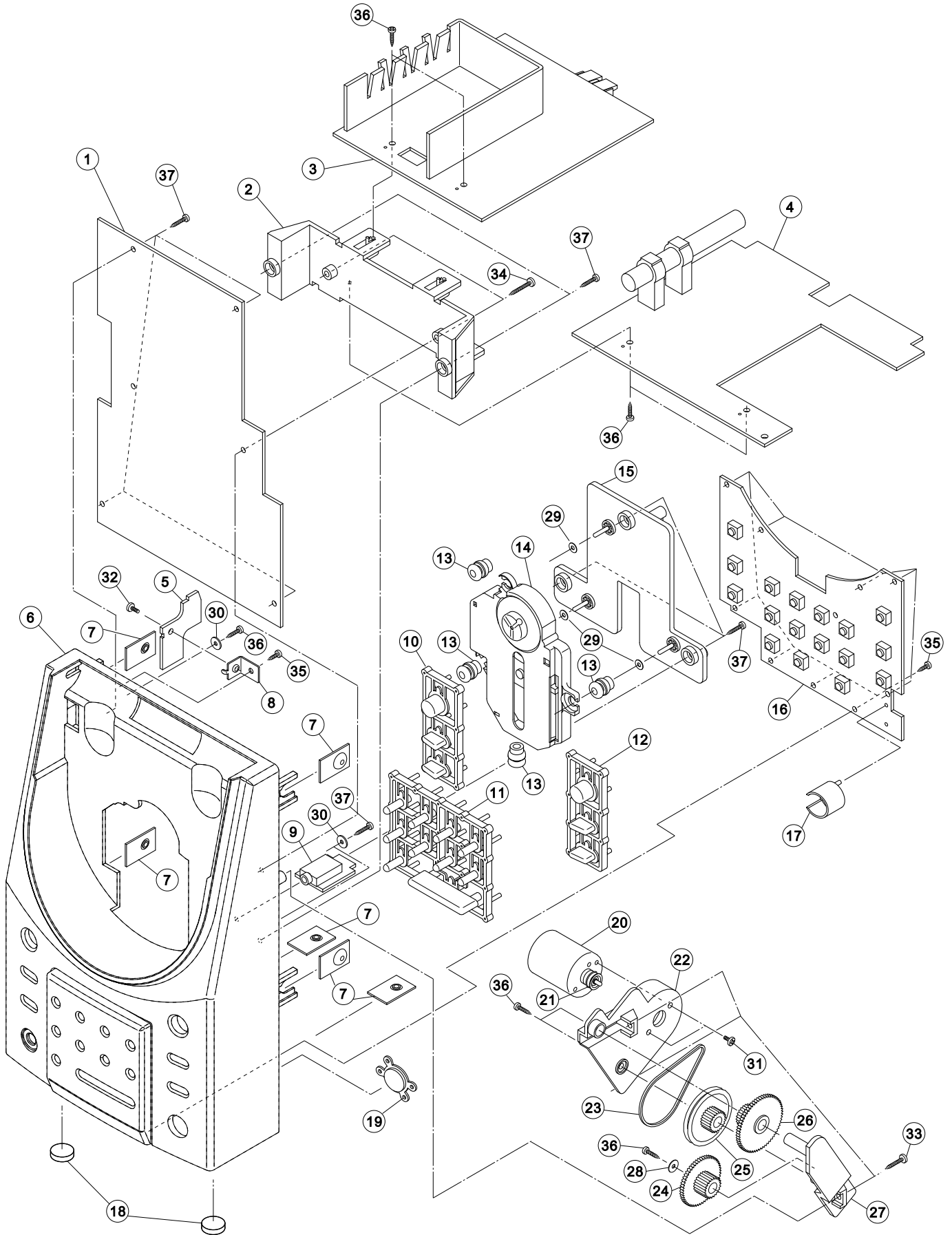
3-3 CD SECTION

Auto alignment.

EX-M1

4 EXPLODED VIEWS AND PARTS LIST

EXPLODED VIEW - 1

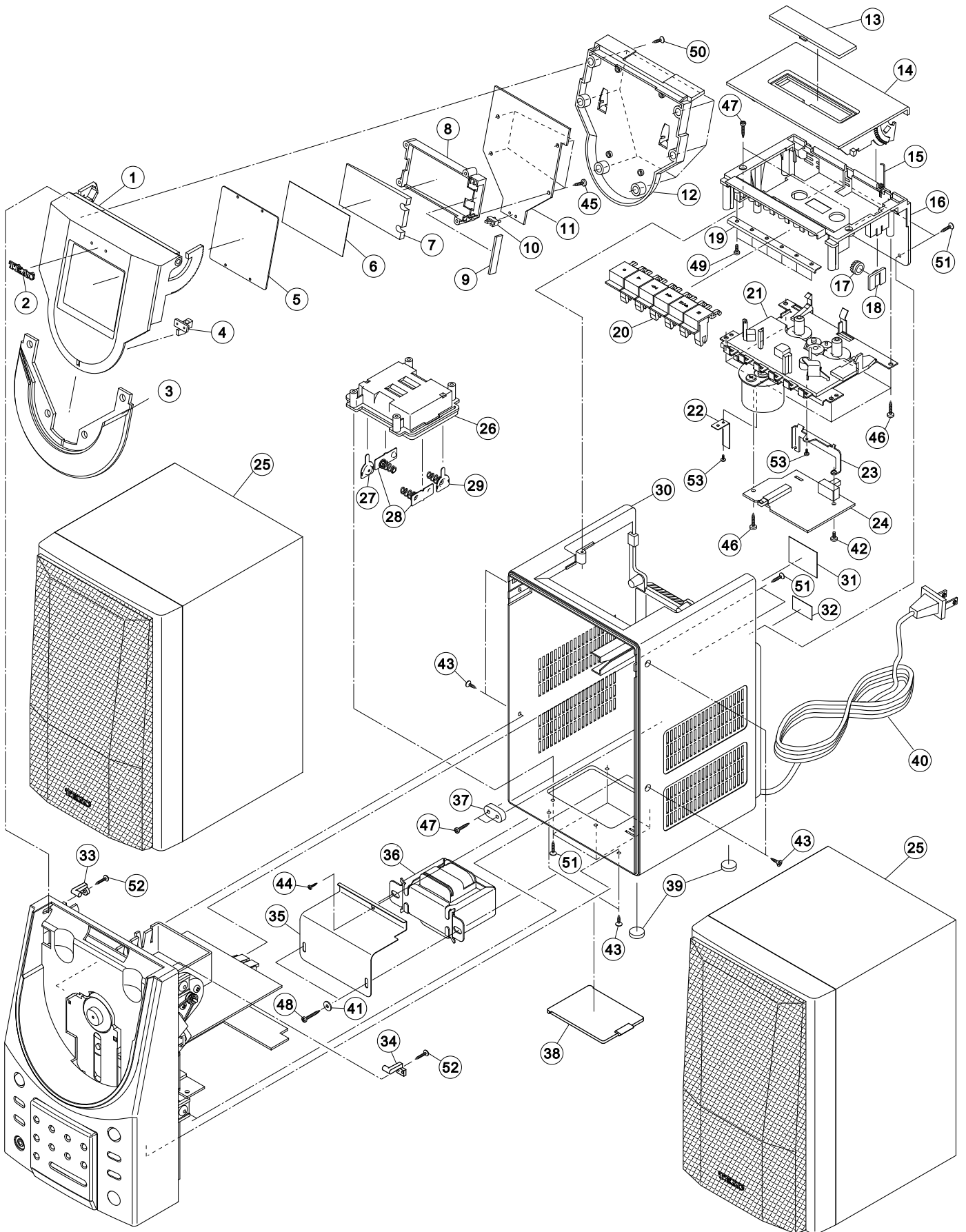


EXPLODED VIEW-1


REF. NO	PARTS NO.	DESCRIPTION	REMARKS
1-1	01-EXM100030-00	CD PCB ASSY	
1-2	56-07EXM1780-10	PCB BRACKET	
1-3	01-EXM100007-00	POWER PCB ASSY	
1-4	01-EXM100002-00	TUNER PCB ASSY	
1-5	01-EXM100023-00	O/C SWITCH PCBASSY	
1-6	56-04EXM10A1-B0	FRONT CABINET	
1-7	61-61DCD2000-00	LOCK WASHER	
1-8	61-11DV60000-00	PCB BRACKET	
1-9	01-EXM100009-00	H/P PCB ASSY	
1-10	56-54EXM11A1-10	FUNCTION KNOB-L	
1-11	56-54EXM10A1-10	FUNCTION KNOB-M	
1-12	56-54EXM12A1-10	FUNCTION KNOB-R	
1-13	58-61AC230B3-00	SHOCK ABSORBER	
1-14	71-70DA23Z01-02	CD MECHANISM (SANYO)	
1-15	56-07EXM1280-10	CD DECK BRACKET	
1-16	01-EXM100005-00	KEY PCB ASSY	
1-17	56-07EXM1180-10	REMOTE BRACKET	
1-18	58-261230001-00	RUBBER FOOT (HARD)	
1-19	56-57EXM1520-40	REMOTE LENS	
1-20	58-44NSX2000-00	CD MOTOR	
1-21	56-760000000-JA	DOOR MOTOR PULLY	
1-22	56-24EXM1380-10	GEAR BRACKET-A	
1-23	58-04NSX2000-00	DRIVE BELT	
1-24	56-24EXM1180-10	GEAR -B	
1-25	56-24EXM1280-10	GEAR -C	
1-26	56-24EXM1080-10	GEAR -A	
1-27	56-24EXM1480-10	GEAR BRACKET-B	
1-28	68-013010057-00	METAL WASHER	
1-29	68-023008042-00	FIBRE WASHER	
1-30	68-013210107-00	METAL WASHER	
1-31	66-220300431-00	MACHINE SCREW MS/BH3x4	
1-32	66-230300631-00	MACHINE SCREW MS/PH3x6	
1-33	66-421301431-00	SELF-TAPPING SCREWTA/BH3x14	
1-34	66-421301831-00	SELF-TAPPING SCREWTA/BH3x18	
1-35	66-431300831-00	SELF-TAPPING SCREWTA/PH3x8	
1-36	66-431301031-00	SELF-TAPPING SCREWTA/PH3x10	
1-37	66-431301231-00	SELF-TAPPING SCREWTA/PH3x12	

EX-M1

EXPLODED VIEW - 2



EXPLODED VIEW-2

REF. NO	PARTS NO.	DESCRIPTION	REMARKS
2-1	56-14EXM10A1-10	CD DOOR	
2-2	56-58EXM1180-10	BADGE LOGO - TEAC	
2-3	56-57EXM1110-70	CD DOOR LENS	
2-4	56-57EXM1200-70	POWER LENS	
2-5	56-57EXM1300-70	DISPLAY LENS	
2-6	57-26EXM1000-00	FILTER SHEET	
2-7	56-57EXM1400-70	BACK LIGHT LENS	
2-8	56-07EXM1090-10	BACK LIGHT LENS BRACKET	
2-9	01-EXM100016-00	LED PCB ASSY	
2-10	56-07EXM1880-10	POWER LED BRACKET	
2-11	01-EXM100004-00	DISPLAY PCB ASSY	
2-12	56-14EXM11A1-10	CD DOOR BASE	
2-13	56-57EXM1600-70	CASS DOOR LENS	
2-14	56-13EXM10A1-10	CASS DOOR	
2-15	61-97EXM1000-00	CASS DOOR SPRING	
2-16	56-07EXM16A1-10	CASS DOOR BRACKET	
2-17	56-24EXM1580-10	CASS GEAR	
2-18	56-24EXM1680-10	CASS GEAR BRACKET	
2-19	61-11EXM1001-00	MTG-BRACKET CASS KNOB	
2-20	56-55EXM10A1-10	CASS KNOB-6KEY	
2-21	71-06EXM1000-20	F/CASS DECK	
2-22	61-76SCD6600-00	RECORDING PLATE	
2-23	61-11EXM1000-00	REC.PCB BRACKET	
2-24	01-EXM100020-00	R/P PCB ASSY	
2-25	58-01EXM1000-00	SPEAKER BOX ASSY	
2-26	56-06EXM11A1-A0	BATTERY BOX	
2-27	61-250066000-00	BATTERY CONTACT PLATE (+)	
2-28	61-26SX88000-00	BATTERY SPRING (+/-)	
2-29	61-260066000-00	BATTERY CONTACT SPRING (-)	
2-30	56-05EXM10A1-B0	REAR CABINET	
2-31	57-083225001-07	PVC PLATE	
2-32	57-082213001-07	PVC PLATE	
2-33	56-07EXM1380-10	CD DOOR SHAFT BRACKET-L	
2-34	56-07EXM1480-10	CD DOOR SHAFT BRACKET-R	
2-35	61-11EXM1002-00	SHIELDING PLATE	
2-36	 18-2573EXM10-19	TRANSFORMER EI-57 120V	
2-37	56-07EXM1580-10	AC CORD PLATE	
2-38	56-06EXM10A1-A0	BATTERY DOOR	
2-39	58-261230001-00	RUBBER FOOT (HARD)	
2-40	45-111830104-06	AC CORD SPT-26FT CUL	
2-41	68-013210107-00	METAL WASHER	
2-42	66-230300631-00	MACHINE SCREW MS/PH3x6	
2-43	66-250300831-00	MACHINE SCREW MS/KH3x8	
2-44	66-421260831-00	SELF-TAPPING SCREW TA/BH2.6x8	
2-45	66-421301031-00	SELF-TAPPING SCREW TA/BH3x10	
2-46	66-421301231-00	SELF-TAPPING SCREW TA/BH3x12	
2-47	66-431301231-00	SELF-TAPPING SCREW TA/PH3x12	
2-48	66-431301631-00	SELF-TAPPING SCREW TA/PH3x16	
2-49	66-432300631-00	SELF-TAPPING SCREW TB/PH3x6	
2-50	66-451301031-00	SELF-TAPPING SCREW TA/KH3x10	
2-51	66-451301231-00	SELF-TAPPING SCREW TA/KH3x12	
2-52	66-481261231-00	SELF-TAPPING SCREW TA/WH2.6x12	
2-53	66-520200331-00	SELF-TAPPING SCREW TT/BH2x3	

EX-M1

5 PC BOARDS AND PARTS LIST

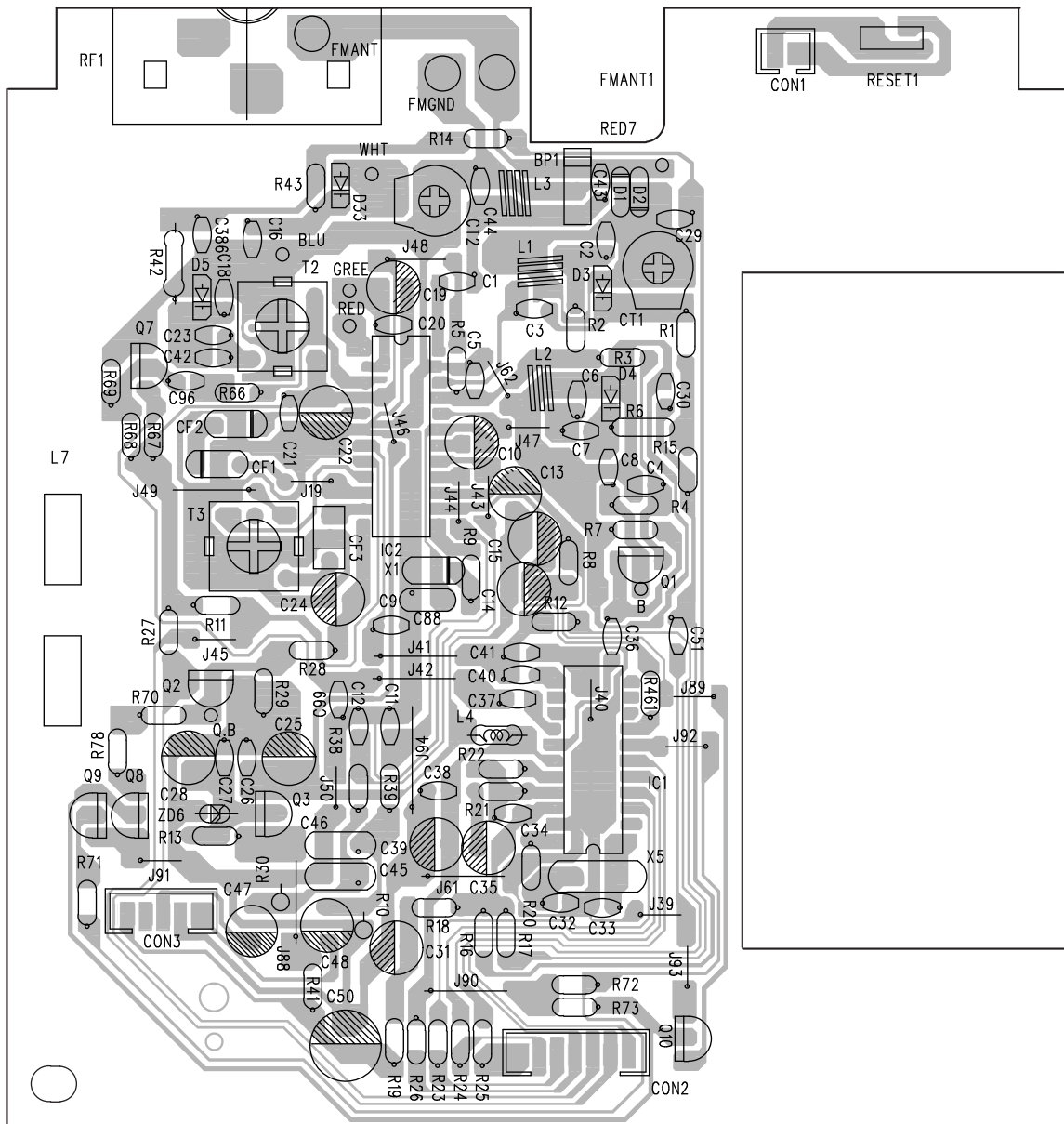
TUNER PCB ASSY

REF. NO	PARTS NO.	DESCRIPTION	REMARKS
	01-EXM100002-00	TUNER BOARD ASSY	
	48-EXM100002-00	TUNER PCB	
	32-211801100-00	FERRITE BAR 10X80MM	
CON2	43-9A2001071-00	WAFER 7 PINS 180C	
CF1	31-210705100-20	CER.FILTER LT10.7MA5-A	
CF3	31-245003015-20	CER.FILTER LTP450B	
CT1,2	28-120110100-02	TRIMMER 20PF	
D1,2	15-0001N4148-00	DIODE - 1N4148	
D3,4	15-SVC201SPA-11	VAR DIODE SVC201SPA	
D5,33	15-SVC321SPA-11	VAR DIODE SVC321SPA	
IC1	16-LC7213100-01	IC-LC72131	
IC2	16-LA1823000-00	IC-LA1823	
L1	38-204510004-00	FM COIL 4.5X4.5TX0.8MM	
L2,3	38-203510004-00	FM COIL 4.5X3.5TX0.8MM	
L7	38-206820010-00	AM COIL 68:20T	
Q2,8,9,10	11-9014C0001-00	TR-9014C	
Q3	11-8050C0002-00	TR-8050C	
T2	40-0000660R2-18	IFT 660R (RED)	
T3	40-0000A0494-18	IFT A049 (YELLOW)	
X1	31-610705021-01	CDA 10.7MG1-A	
X5	31-145004000-18	CRYSTAL 4.500MHZ	
ZD6	12-156103100-00	ZENER DIODE 5.6V	

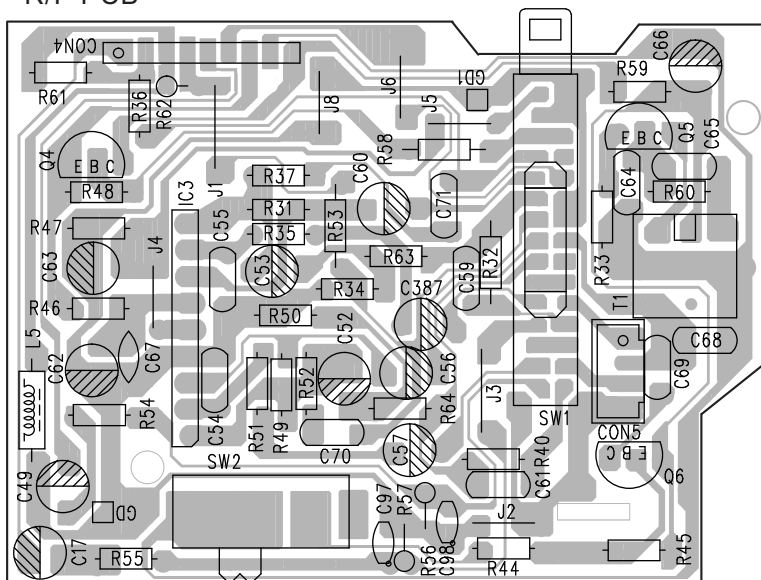
R/P PCB ASSY

REF. NO	PARTS NO.	DESCRIPTION	REMARKS
	01-EXM100020-00	R/P PCB ASSY	
	48-EXM100020-00	RECORDER PCB	
CON5	43-9A2001041-00	WAFER 4P P=2MM	
IC3	16-BA3308000-02	IC-BA3308	
Q4,6	11-9015C0001-00	TR-9015C	
Q5	11-9014C0001-00	TR-9014C	
T1	40-621000100-08	IFT- 621 (BLK)	
SW1	41-191100100-03	PUSH SWITCH	
SW2	41-132212809-0V	SLIDE SWITCH	

TUNER PCB



R/P PCB



EX-M1

CD PCB ASSY

REF. NO	PARTS NO.	DESCRIPTION	REMARKS
	01-EXM100030-00	CD BOARD ASSY	
	48-EXM100030-02	CD PCB	
CN5	43-9A1501061-00	WAFER 6PINP=1.5MM	
CON305	43-9B2001051-00	WAFER 5PINP=2MM	
CON410	43-9B1001161-00	WAFER 16PP=1MM	
CON413	43-9A1001301-00	WAFER 30PP=1MM	
D403,404, D407-409,411, D412,413,415-418 D420-423	15-0001N4148-00	DIODE 1N4148	
IC301	16-LB1641000-01	IC- LB1641	
IC302	16-LA6541D00-01	IC-LA6541D	
IC303	16-LC78622NE-00	IC- LC78622NE	
IC304	16-LA9241M00-01	IC- LA9241M	
IC401	16-LC5870082-00	IC- LC58P7008-1P09	
L301,302	38-310000000-30	INDUCTORS 100UH	
Q301,302,403, Q404,410,411	11-9015C0001-00	TR-9015C	
Q307-310	11-2SD1936T0-03	TR-2SD1936T	
Q311	11-2SA134602-03	TR-2SA1346	
Q401,402,405, Q406,407,412	11-9014C0001-00	TR-9014C	
X301	31-316935001-01	RESONATOR- CSTLS16.M9X55-B0	
X401	31-104000500-18	CRYSTAL 4.0MHz	
X402	31-132762036-00	CRYSTAL 32.768KHz	
ZD301,401	12-156103100-00	ZENER DIODE 5.6V	

O/C SWITCH PCB ASSY

REF. NO	PARTS NO.	DESCRIPTION	REMARKS
	01-EXM100023-00	O/C SWITCH PCBASSY	
	48-EXM100023-00	CD O/C SWITCHPCB	
SW1,2	41-071000001-00	MICRO SWITCH	

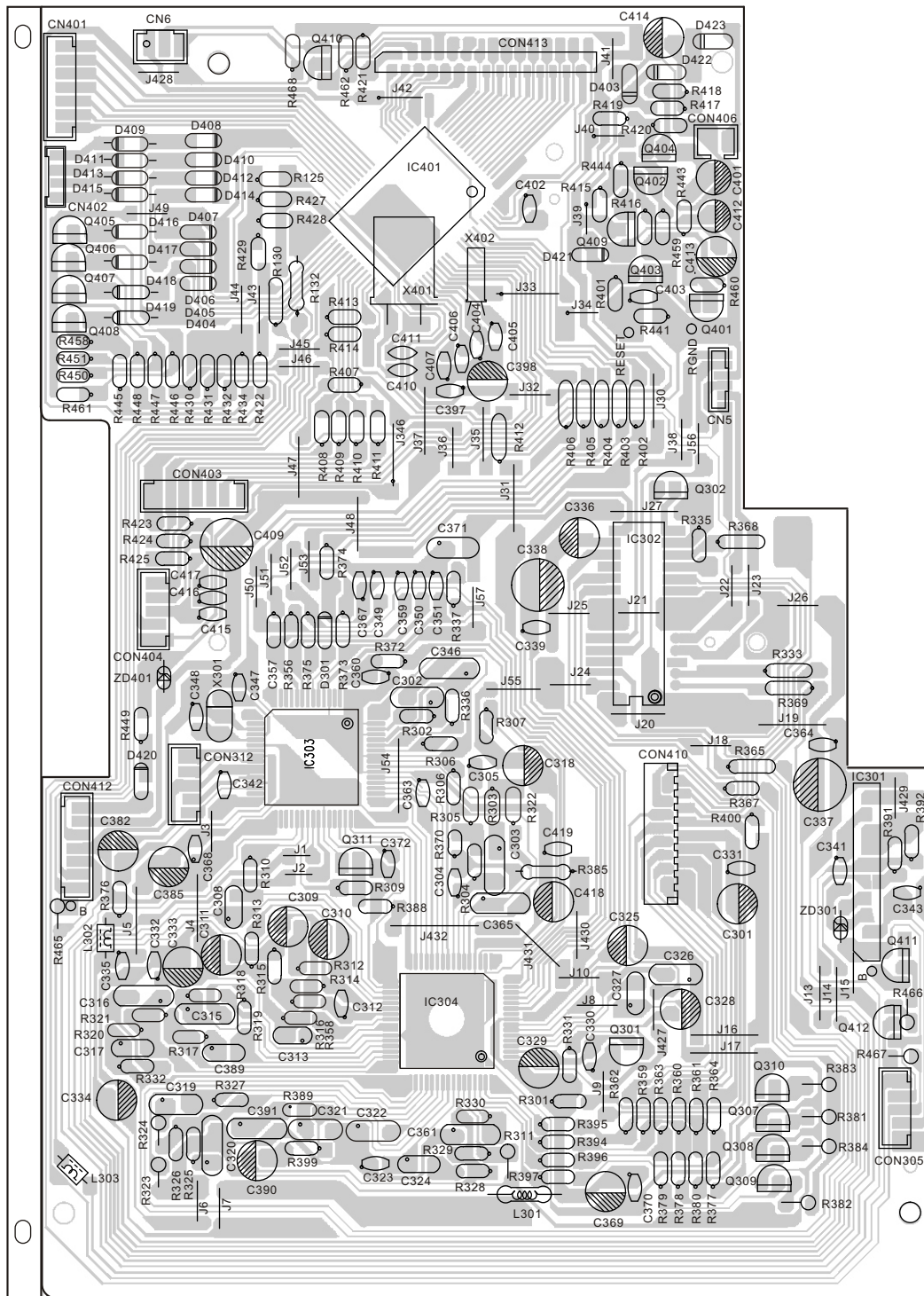
H.P PCB ASSY

REF. NO	PARTS NO.	DESCRIPTION	REMARKS
	01-EXM100009-00	H.P PCB ASSY	
	48-EXM100009-00	H.P PCB	
PH1	43-433802005-01	PHONE JACK /SW	

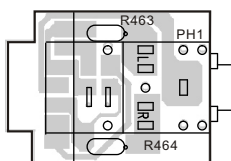
LED PCB ASSY

REF. NO	PARTS NO.	DESCRIPTION	REMARKS
	01-EXM100016-00	LED PCB ASSY	
	48-EXM100016-00	LED PCB	
LED1,2	13-1SB14E200-00	LED D5MM (BLUE)	

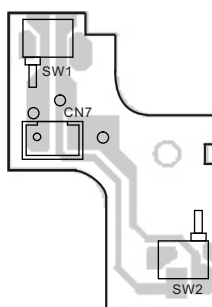
CD PCB



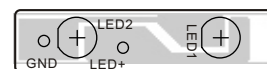
H/P PCB



O/C SW PCB



LED PCB



EX-M1

POWER PCB ASSY

REF. NO	PARTS NO.	DESCRIPTION	REMARKS
	01-EXM100007-00	POWER PCB ASSY	
	48-EXM100007-11	POWER PCB	
C745,746	△ 26-351030300-00	CE-25V 1000UF	
C757	△ 26-353330300-00	CE-25V 3300UF	
CON701	43-9A2001071-00	WAFER 7PINP=2MM	
CON702,704	43-9A2001051-00	WAFER 5PINP=2MM	
CON703	43-9A2001091-00	WAFER 9PINP=2MM	
CON705	43-9A2001031-00	WAFER 3PINP=2MM	
CON706	43-9A2001021-00	WAFER 2PINP=2MM	
CON707	43-9A2501041-00	WAFER 4PINP=2.5MM	
CON708	43-9A2501051-00	WAFER 5PINP=2.5MM	
D707-710	△ 15-0000RL202-00	DIODE RL-202	
D711,712	15-0001N4001-00	DIODE 1N4001	
D714-717	15-0001N4148-00	DIODE 1N4148	
FUSE	△ 46-235420100-01	GLASS FUSE 3.5A250V	
IC704	16-BA5417000-01	IC - BA5417	
IC703	16-LC7534200-00	IC - LC75342	
Q723	11-2SB772000-00	TR-2SB772P	
Q719,724,729	11-8550C0002-00	TR-8550C	
Q715-718,720, Q721,725-728, Q730	11-9014C0001-00	TR-9014C	
Q713,714	11-KSD882Y02-01	TR-KSD882Y	
ZD704	12-110203100-02	ZENER DIODE 10V	
ZD705	12-162103100-00	ZENER DIODE 6.2V	
ZD703	12-182103100-00	ZENER DIODE 8.2V	

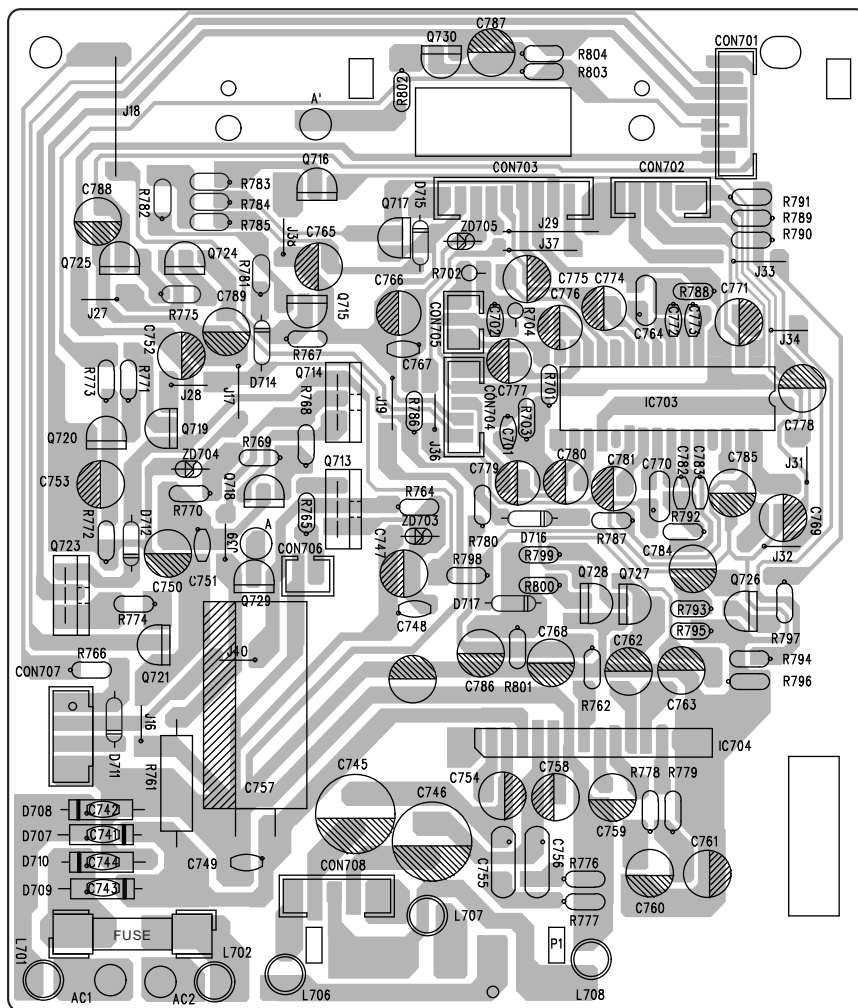
DISPLAY PCB ASSY

REF. NO	PARTS NO.	DESCRIPTION	REMARKS
	01-EXM100004-00	DISPLAY PCB ASSY	
	48-EXM100004-00	DISPLAY PCB	
LED401	13-1MSC32DC0-31	LED 2.94MM (RED)	
D1,D2	13-1SB14E200-00	LED 5MM(BLUE)	
LCD401	13-5EXM10000-02	LCD DISPLAY IS06382P00	

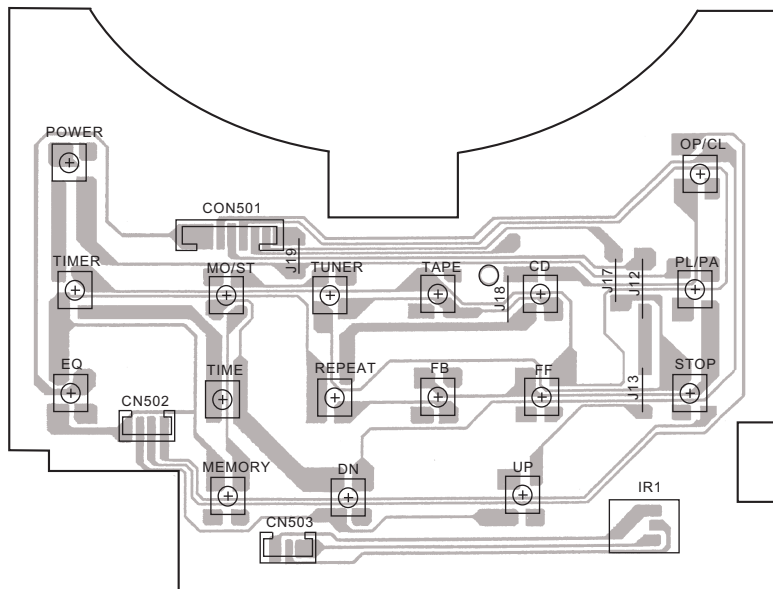
KEY PCB ASSY

REF. NO	PARTS NO.	DESCRIPTION	REMARKS
	01-EXM100005-00	KEY PCB ASSY	
	48-EXM100005-01	KEY PCB	
	41-151100000-0V	TACT SWITCHH=5MM	
CON501	43-9B2001071-00	WAFER 7PINP=2MM	
CON502	43-9B2001040-00	WAFER 4PINP=2MM	
CON503	43-9B2001031-00	WAFER 3PINP=2MM	
IR1	17-57138V400-02	OPTIC SENSER	

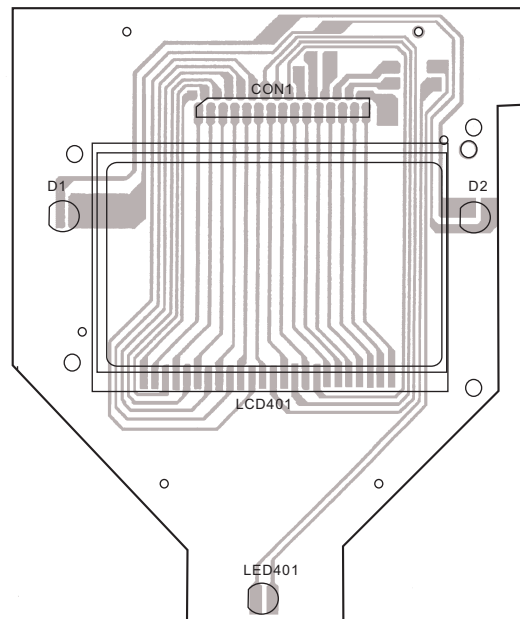
POWER PCB



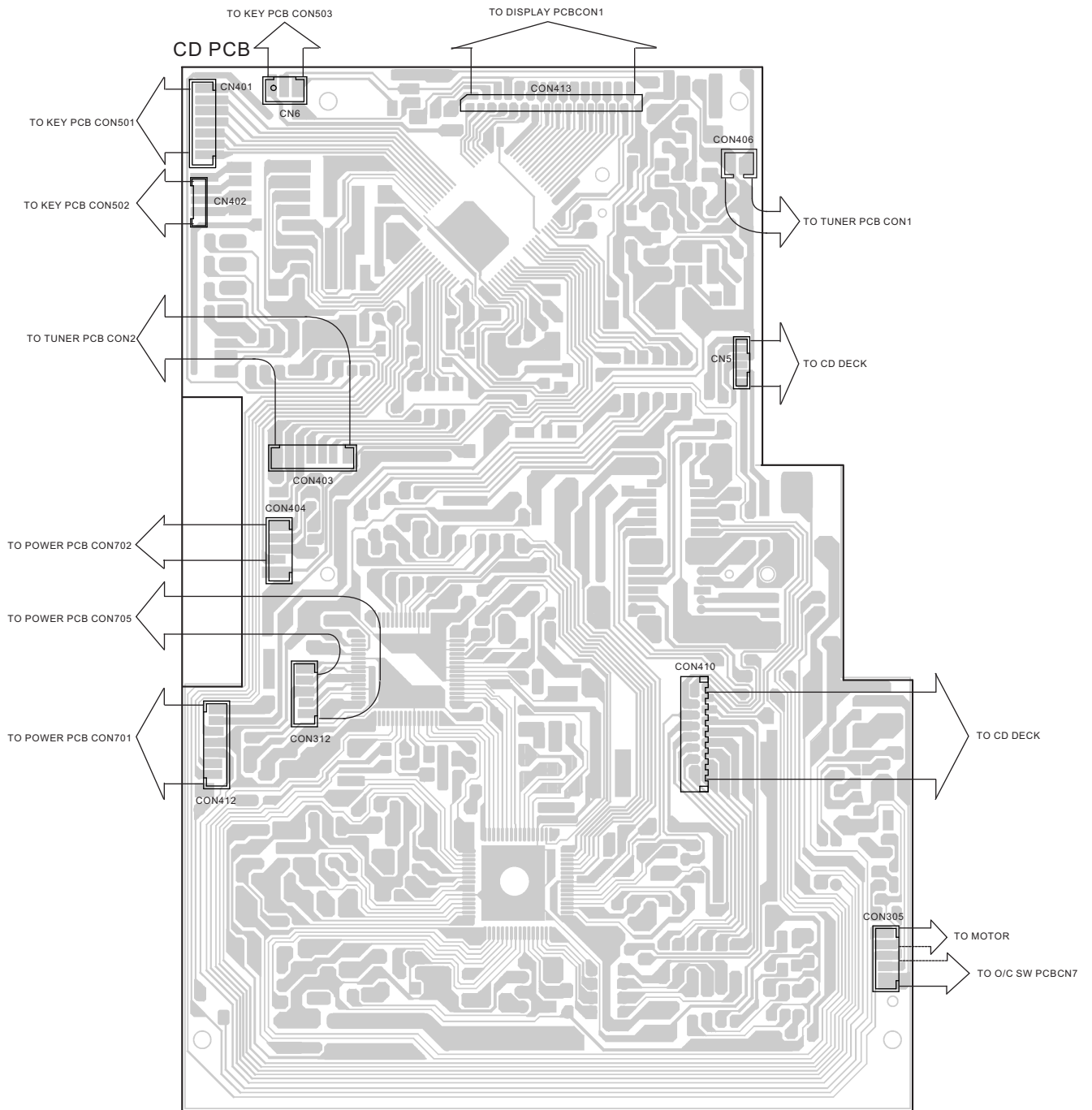
KEY PCB

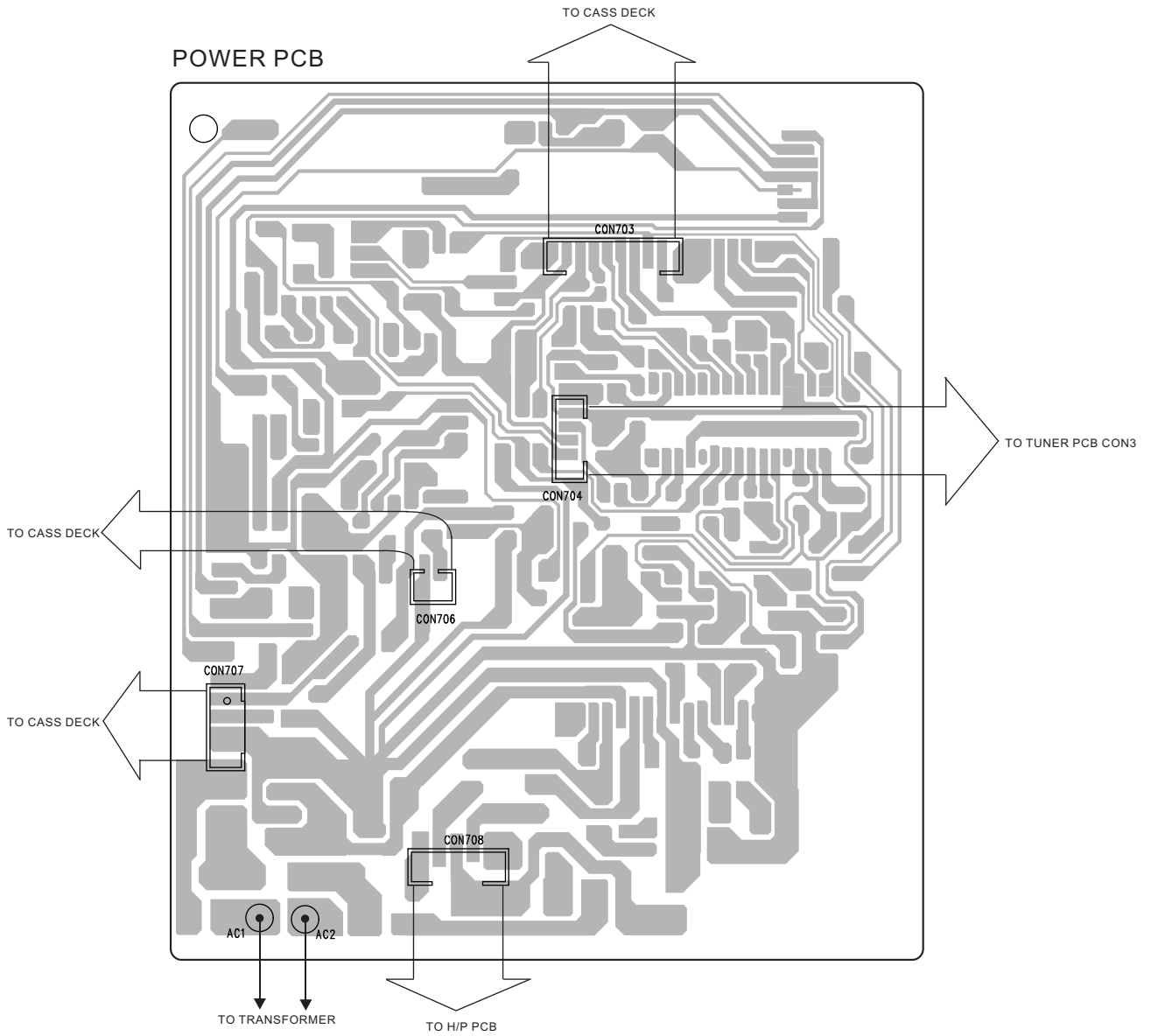


DISPLAY PCB



6 WIRING DIAGRAM





EX-M1

6 INCLUDED ACCESSORIES

INCLUDED ACCESSORIES

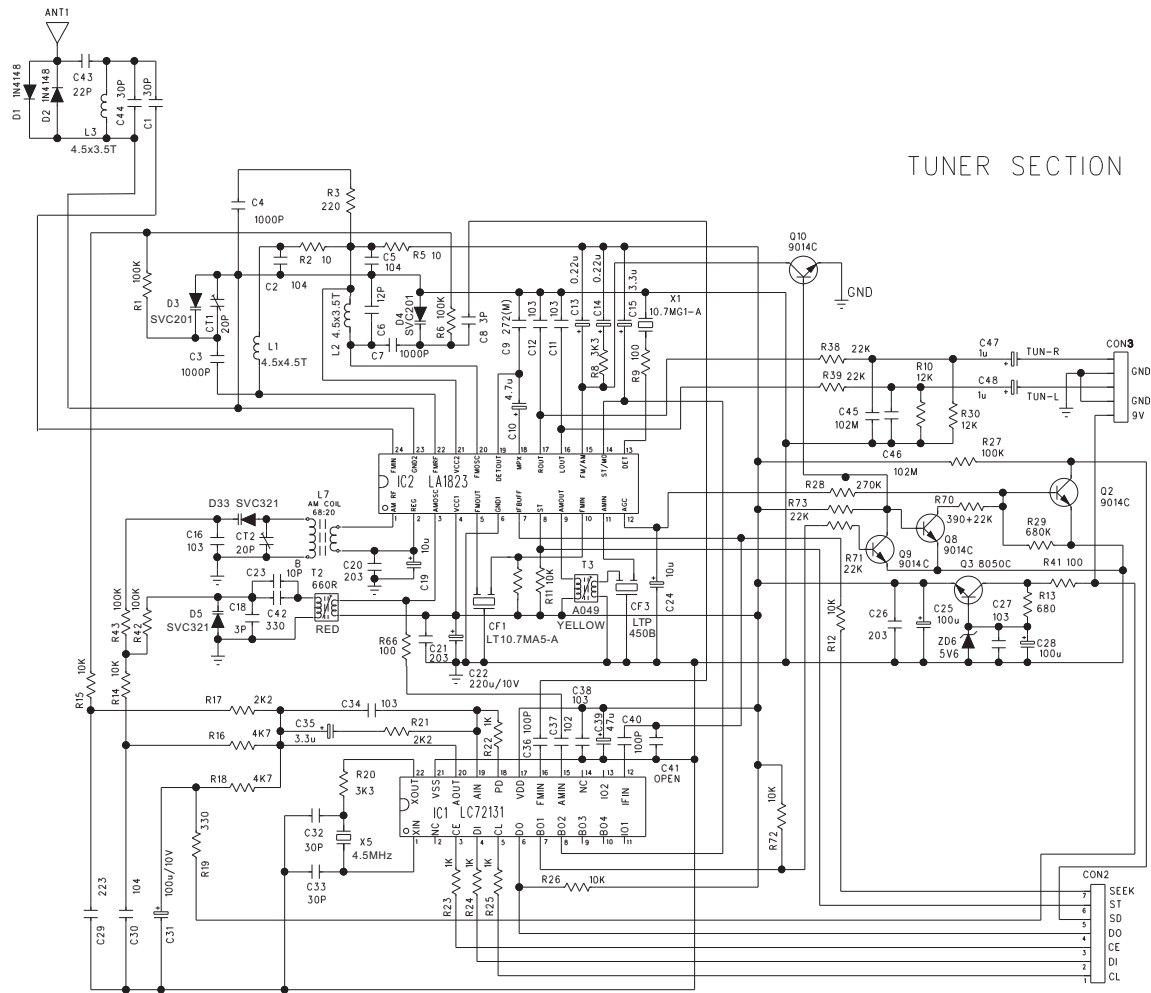
REF. NO	PARTS NO.	DESCRIPTION	REMARKS
	77-14D120000-01	WARRANTY CARD	
	77-20EXM1000-00	INSTRUCTION BOOK	
	01-EXM10000-00	REMOTE CONTROL	

EX-M1

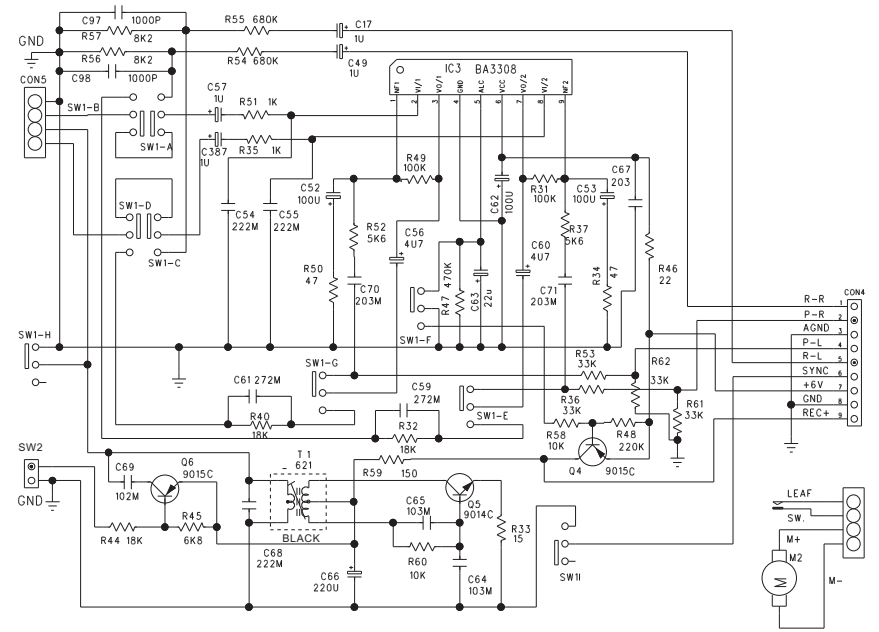
TEAC

TEAC CORPORATION	3-7-3 Nakacho, Musashino-shi, Tokyo 180-8550, Japan Phone:(0422)52-5081
TEAC AMERICA, INC.	7733 Telegraph Road, Montebello, California 90640 Phone: (323)726-0303
TEAC CANADA LTD.	5939 Wallace Street, Mississauga, Ontario L4Z 1Z8, Canada Phone: (905)-890-8008
TEAC MEXICO, S.A.De C.V.	Campesinos 184, Col. Granjas Esmeralda, 09810, Mexico Phone: (525)-581-5500
TEAC UK LIMITED	5 Marlin House, Croxley Business Park, Watford, Hertfordshire, WD188TE, U.K. Phone:01923-819699
TEAC DEUTSCHLAND GmbH	Bahnstrasse 12, 65205 Wiesbaden-Erbenheim, Germany Phone:0611-71580
TEAC FRANCE S.A.	17, Rue Alexis-de-Tocqueville, CE 00592182 Antony Cedex, France Phone:(1)42.37.01.02
TEAC NEDERLAND BV	Oeverkruid 15, NL-4941 W Raamsdonksveer, Nederland Phone:0162-510210
TEAC BELGIUM NV/SA.	c/o TEAC NEDERLAND BV, Oeverkruid 15, NL-4941 W Raamsdonksveer, Nederland Phone:+31-162-510860
TEAC ITALIANA S.p.A.	Via C, Cantu 11, 20092 Cinisello Balsamo, Milano, Italy Phone:02-66010550
TEAC AUSTRALIA PTY., LTD.	280 William Street, Melbourne VIC 3000, Australia Phone:(03)9672-2400
A.B.N.	80 005408 462

PREPARED IN HONG KONG



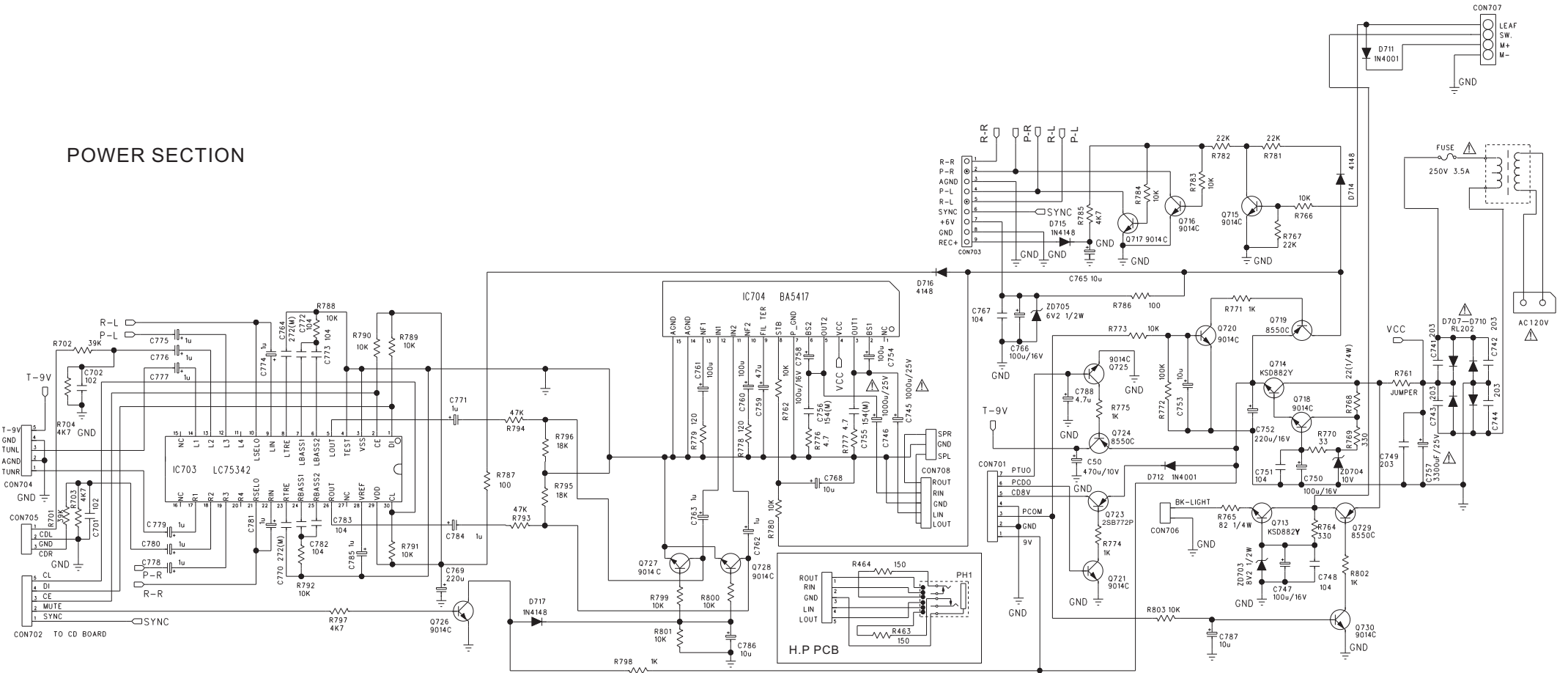
CASS. SECTION



EX-M1

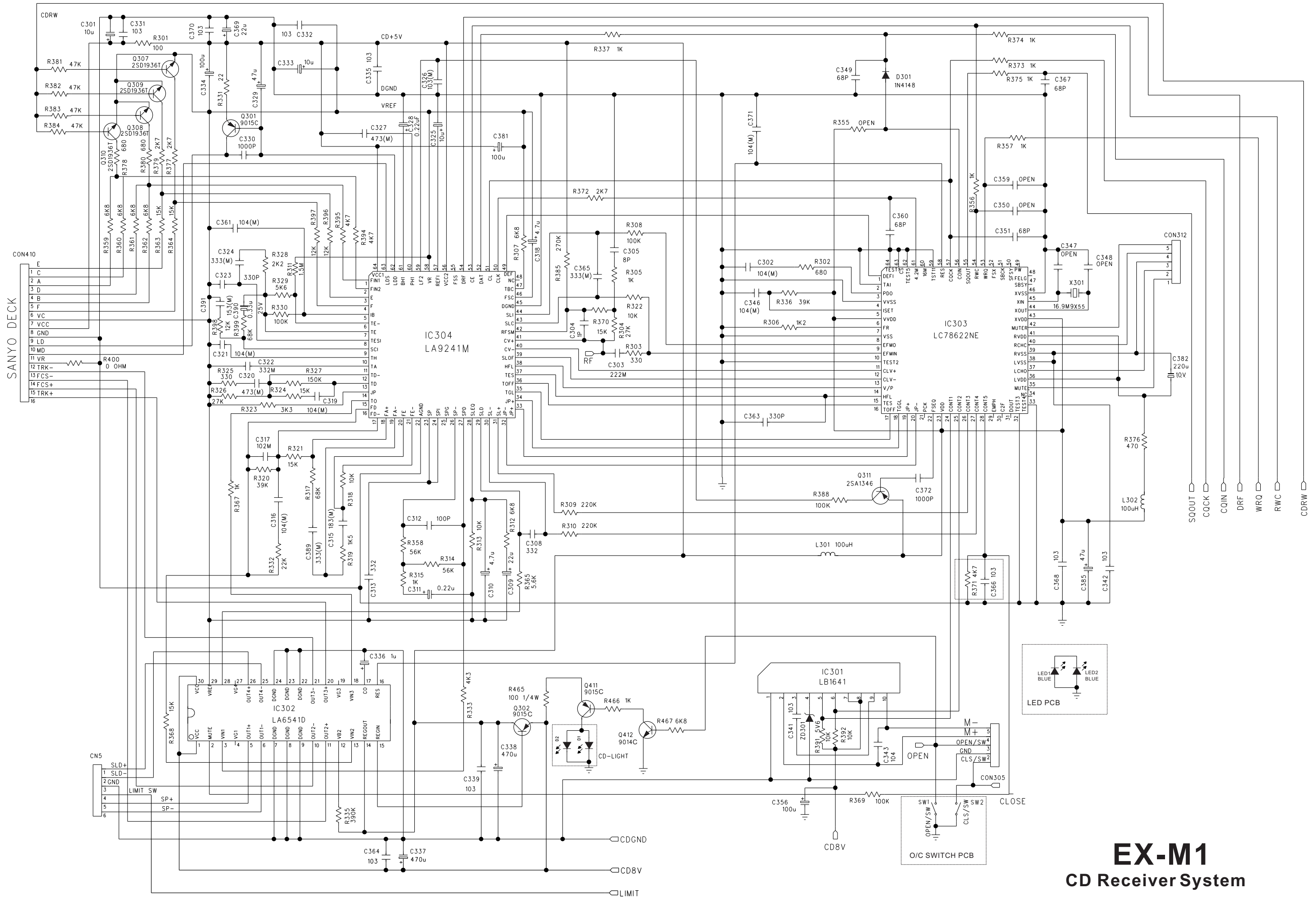
CD Receiver System

POWER SECTION



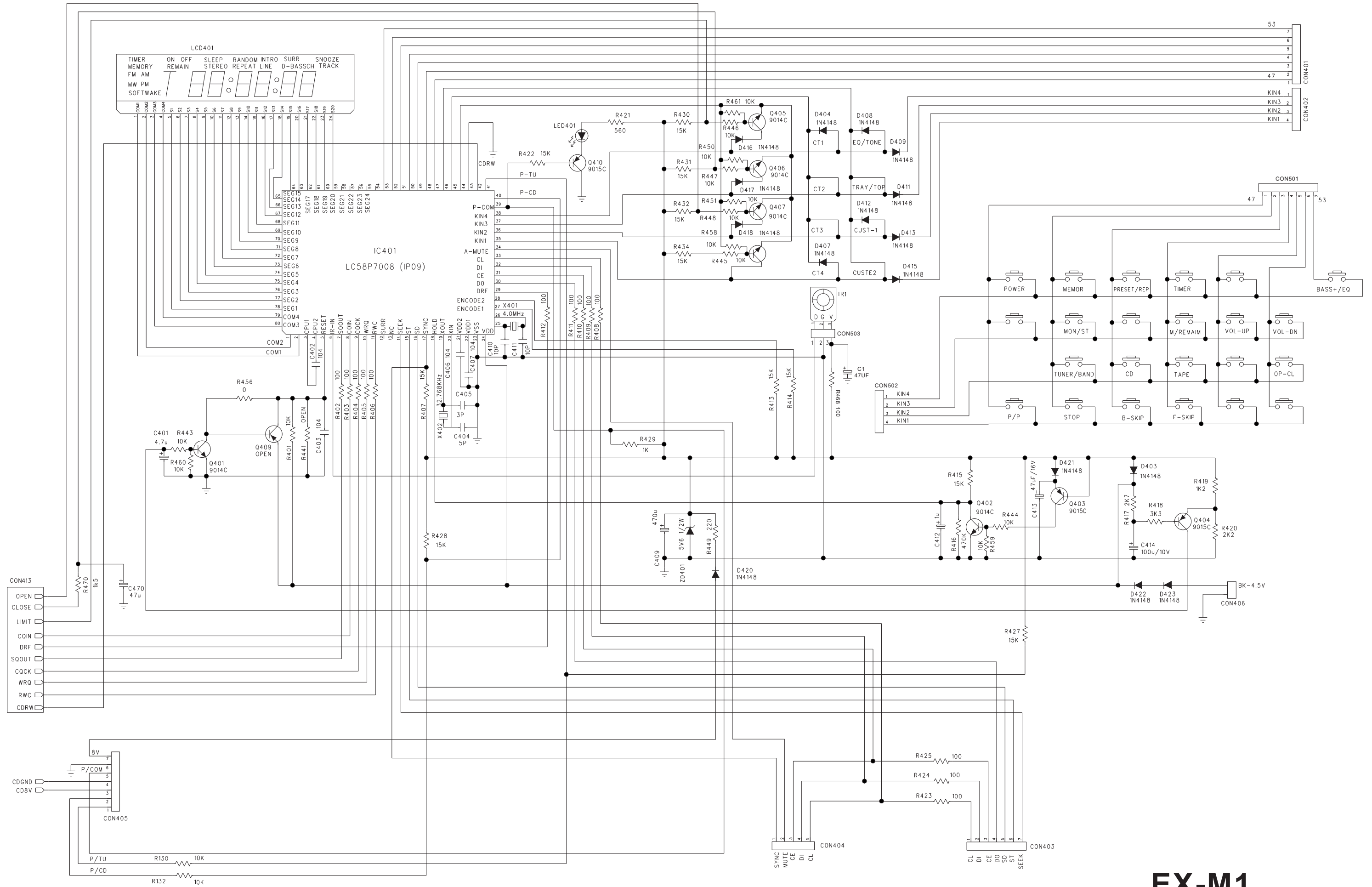
EX-M1
CD Receiver System

CD SECTION



EX-M1
CD Receiver System

MCU SECTION



EX-M1
CD Receiver System

CD RECEIVER SYSTEM

LEVEL	PARTS NO.	DESCRIPTION	Q'TY	REF NO.
1	1	9A09682910	CD PCB ASSY	1 1-1
2	2	9A07392500	TR,9014C	2 Q401, Q402
3	2	9A07392500	TR,9014C	3 Q405- Q407
4	2	9A07392500	TR,9014C	1 Q412
5	2	9A07392600	TRANSISTOR 9015C	2 Q301, Q302
6	2	9A07392600	TRANSISTOR 9015C	2 Q403, Q404
7	2	9A07392600	TRANSISTOR 9015C	2 Q410, Q411
8	2	9A07392800	ZENER DIODE 5.6V 1/2W	2 ZD301 ,401
9	2	9A07393800	DIODE 1N4148	2 D403, D404
10	2	9A07393800	DIODE 1N4148	4 D407- D409
11	2	9A07393800	DIODE 1N4148	3 D411- D413
12	2	9A07393800	DIODE 1N4148	4 D415- D418
13	2	9A07393800	DIODE 1N4148	3 D420- D423
14	2	9A07409000	INDUCTOR 100UH	2 L301, L302
15	2	9A09692800	CD PCB	1
16	2	9A09692900	WAFER 6PIN P=1.5MM	1 CN5
17	2	9A09693000	WAFER 5PIN P=2MM	1 CON30 5
18	2	9A09693100	WAFER 16P P=1MM	1 CON41 0
19	2	9A09693200	WAFER 30P P=1MM	1 CON41 3
20	2	9A09693300	IC,LB1641	1 IC301
21	2	9A09693400	IC,LA6541D	1 IC302
22	2	9A09693500	IC,LC78622NE	1 IC303
23	2	9A09693600	IC,LA9241M	1 IC304
24	2	9A09693700	IC,LC58P7008-1P09	1 IC401
25	2	9A09693800	TR,2SD1936T	4 Q307- Q310
26	2	9A09693900	TR,2SAI346	1 Q311
27	2	9A09694000	RESONATOR-CSTLS16.M9X55-B	1 X301
28	2	9A09694100	CRYSTAL 4.0MHZ	1 X401
29	2	9A09694200	CRYSTAL 32.768KHZ	1 X402
30	1	9A09683000	PCB BRACKET	1 1-2
31	1	9A09683110	POWER PCB ASSY	1 1-3
32	2	9A07392500	TR,9014C	4 Q715- Q718
33	2	9A07392500	TR,9014C	2 Q720, Q721
34	2	9A07392500	TR,9014C	4 Q725- Q728
35	2	9A07392500	TR,9014C	1 Q730
36	2	9A07392900	ZENER 6.2V 1/2W	1 ZD705
37	2	9A07393600	RECTIFIER DIODE RL202	4 D707- D710
38	2	9A07393700	DIODE 1N4001	2 D711, D712
39	2	9A07393800	DIODE 1N4148	4 D714- D717
40	2	9A07407100	ELECT CAP 1000 UF 25V	2 C745, C746
41	2	9A07410500	WAFER 5 PINS P=2MM 180C	1 CON70 2
42	2	9A07410500	WAFER 5 PINS P=2MM 180C	1 CON70 4
43	2	9A09691400	WAFER 7 PINS 180C	1 CON70 1
44	2	9A09694900	POWER PCB	1
45	2	9A09695000	ELECT CAP 3300UF/25V	1 C757
46	2	9A09695100	WAFER 9 PINS P=2MM	1 CON70 3
47	2	9A09695200	WAFER 3 PIN P=2MM	1 CON70 5

48	2	9A09695300	WAFER 2 PIN P=2MM	1	CON70 6
49	2	9A09695400	WAFER 4 PIN P=2.5MM	1	CON70 7
50	2	9A09695500	WAFER 5 PIN P=2.5MM	1	CON70 8
51	2	9A09695600	GLASS FUSE 3.5A 250V	1	FUSE
52	2	9A09695700	IC,BA5417	1	IC704
53	2	9A09695800	IC,LC75342	1	IC703
54	2	9A09695900	TR,2SB772P	1	Q723
55	2	9A09696000	TR,8550C	1	Q719
56	2	9A09696000	TR,8550C	2	Q724, Q729
57	2	9A09696100	TR,KSD882Y	2	Q713, Q714
58	2	9A09696200	ZENER DIODE 10V	1	ZD704
59	2	9A09696300	ZENER DIODE 8.2V	1	ZD703
60	1	9A09683210	TUNER PCB ASSY	1	1-4
61	2	9A07392500	TR,9014C	1	Q2
62	2	9A07392500	TR,9014C	3	Q8-Q1 0
63	2	9A07392800	ZENER DIODE 5.6V 1/2W	1	ZD6
64	2	9A07393400	DIODE SVC201SPA	2	D3,D4
65	2	9A07393500	DIODE SVC321SPA	2	D5,D3 3
66	2	9A07393800	DIODE 1N4148	2	D1,D2
67	2	9A07407400	TRIMMER DIA 8MM 20PF	2	CT1,C T2
68	2	9A07408300	FERRITE BAR 10X80MM	1	
69	2	9A07408500	FM COIL 4.5X3.5TX0.8MM	2	L2,L3
70	2	9A08222600	I.F.T. 660R (RED)	1	T2
71	2	9A08222700	I.F.T. A049 (YELLOW)	1	T3
72	2	9A09691300	TUNER PCB	1	
73	2	9A09691400	WAFER 7 PINS 180C	1	CON2
74	2	9A09691500	CER.FILTER LT10.7MA5-A	1	CF1
75	2	9A09691600	CER.FILTER LTP450B	1	CF3
76	2	9A09691700	IC,LC72131	1	IC1
77	2	9A09691800	IC,LA1823	1	IC2
78	2	9A09691900	FM COIL 4.5X4.5TX0.8MM	1	L1
79	2	9A09692000	AM COIL 68X20T	1	L7
80	2	9A09692100	TR,8050C	1	Q3
81	2	9A09692200	CDA 10.7MG1-A	1	X1
82	2	9A09692300	CRYSTAL 4.500MHZ	1	X5
83	1	9A09683310	O/C SWITCH PCB ASSY	1	1-5
84	2	9A09694300	CD O/C SWITCH PCB	1	
85	2	9A09694400	MICRO SWITCH	2	SW1,S W2
86	1	9A09683400	FRONT CABINET	1	1-6
87	1	9A09683500	LOCK WASHER	6	1-7
88	1	9A09683600	PCB BRACKET	1	1-8
89	1	9A09683700	H/P PCB ASSY	1	1-9
90	2	9A09694500	H.P PCB	1	
91	2	9A09694600	PHONE JACK/SW	1	PH1
92	1	9A09683800	FUNCTION KNOB-L	1	1-10
93	1	9A09683900	FUNCTION KNOB-M	1	1-11
94	1	9A09684000	FUNCTION KNOB-R	1	1-12
95	1	9A09684100	SHOCK ABSORBER	4	1-13
96	1	9A09684200	CD MECHANISM (SANYO)	1	1-14
97	1	9A09684300	CD DECK BRACKET	1	1-15
98	1	9A09684410	KEY PCB ASSY	1	1-16

99	2	9A09696700	KEY PCB	1	
100	2	9A09696800	TACT SWITCH H=5MM	1	
101	2	9A09696900	WAFER 7PIN P=2MM	1	CON50 1
102	2	9A09697000	WAFER 4PIN P=2MM	1	CON50 2
103	2	9A09697100	WAFER 3PIN P=2MM	1	CON50 3
104	2	9A09697200	OPTIC SENSE	1	IR1
105	1	9A09684500	REMOTE BRACKET	1	1-17
106	1	9A09684600	RUBBER FOOT (HARD)	2	1-18
107	1	9A09684700	REMOTE LENS	1	1-19
108	1	9A09684800	CD MOTOR	1	1-20
109	1	9A09684900	DOOR MOTOR PULLY	1	1-21
110	1	9A09685000	GEAR BRACKET-A	1	1-22
111	1	9A09685100	DRIVE BELT	1	1-23
112	1	9A09685200	GEAR-B	1	1-24
113	1	9A09685300	GEAR-C	1	1-25
114	1	9A09685400	GEAR-A	1	1-26
115	1	9A09685500	GEAR BRACKET-B	1	1-27
116	1	9A09685600	METAL WASHER	1	1-28
117	1	9A09685700	FIBRE WASHER	3	1-29
118	1	9A09685800	METAL WASHER	2	1-30
119	1	9A09685900	MACHINE SCREW MS/BH3X4	2	1-31
120	1	9A09686000	MACHINE SCREW MS/BH3X6	1	1-32
121	1	9A09686100	SELF-TPG,SCREW TA/BH3X14	1	1-33
122	1	9A09686200	SELF-TPG,SCREW TA/BH3X18	1	1-34
123	1	9A09686300	SELF-TPG,SCREW TA/BH3X8	1	1-35
124	1	9A09697600	SELF-TPG SCREW TA/PH 3X10	6	1-36
125	1	9A09686400	SELF-TPG SCREW TA/BH 3X12	5	1-37
126	1	9A09686500	CD DOOR	1	2-1
127	1	9A09686600	BADGE LOGO-TEAC	1	2-2
128	1	9A09686700	CD DOOR LENS	1	2-3
129	1	9A09686800	POWER LENS	1	2-4
130	1	9A09686900	DISPLAY LENS	1	2-5
131	1	9A09687000	FITER SHEET	1	2-6
132	1	9A09687100	BACK LIGHT LENS	1	2-7
133	1	9A09687200	BACK LIGHT LENS BRACKET	1	2-8
134	1	9A09687310	LED PCB ASSY	1	2-9
135	2	9A09694700	LED PCB	1	
136	2	9A09694800	LED 5MM (BLUE)	2	LED1, LED2
137	1	9A09687400	POWER LED BRACKET	1	2-10
138	1	9A09687510	DISPLY PCB ASSY	1	2-11
139	2	9A09694800	LED 5MM (BLUE)	1	D2
140	2	9A09696400	DISPLY PCB	1	
141	2	9A09696500	LED 2.94MM (RED)	1	LED40 1
142	2	9A09696600	LCD DISPLAY IS06382P00	1	LCD40 1
143	1	9A09687600	CD DOOR BASE	1	2-12
144	1	9A09687700	CASS DOOR LENS	1	2-13
145	1	9A09687800	CASS DOOR	1	2-14
146	1	9A09687900	CASS DOOR SPRING	1	2-15
147	1	9A09688000	CASS DOOR BRACKET	1	2-16
148	1	9A09688100	CASS GEAR	1	2-17
149	1	9A09688200	CASS GEAR BRACKET	1	2-18

150	1	9A09688300	MTG-BRACKET CASS KNOB	1	2-19
151	1	9A09688400	CASS KNOB-6KEY	1	2-20
152	1	9A09688500	F/CASS DECK	1	2-21
153	1	9A09688600	RECORDING PLATE	1	2-22
154	1	9A09688800	REC.PCB BRACKET	1	2-23
155	1	9A09688910	R/P PCB ASSY	1	2-24
156	2	9A07392500	TR,9014C	1	Q5
157	2	9A07392600	TRANSISTOR 9015C	2	Q4,Q6
158	2	9A07410400	WAFER 4 PINS P=2MM 180C	1	CON5
159	2	9A08222800	I.F.T. 10MM (KONI)	1	T1
160	2	9A09692400	RECORDER PCB	1	
161	2	9A09692500	IC,BA3308	1	IC3
162	2	9A09692600	PUSH SWITCH	1	SW1
163	2	9A09692700	SLIDE SWITCH	1	SW2
164	1	9A09689010	SPEAKER BOX ASSY	1	2-25
165	1	9A09689100	BATTERY BOX	1	2-26
166	1	9A09689200	BATTERY CONTACT PLATE (+)	1	2-27
167	1	9A09689300	BATTERY SPRING (+/-)	1	2-28
168	1	9A09689400	BATTERY CONTACT SPRING(-)	1	2-29
169	1	9A09689500	REAR CABINET	1	2-30
170	1	9A09689600	PVC PLATE	1	2-31
171	1	9A09689700	PVC PLATE	1	2-32
172	1	9A09689800	CD DOOR SHAFTBRACKET-L	1	2-33
173	1	9A09689900	CD DOOR SHAFTBRACKET-R	1	2-34
174	1	9A09690000	SHIELDING PLATE	1	2-35
175	1	9A09690100	TRANSFORMER EI-57 120V	1	2-36
176	1	9A09690200	AC CORD PLATE	1	2-37
177	1	9A09690300	BATTERY DOOR	1	2-38
178	1	9A09684600	RUBBER FOOT (HARD)	1	2-39
179	1	9A09690400	AC CORD SPT-26FT CUL	1	2-40
180	1	9A09685800	METAL WASHER	1	2-41
181	1	9A09686000	MACHINE SCREW MS/BH3X6	1	2-42
182	1	9A09690500	MACHINE SCREW MS/KH3X8	1	2-43
183	1	9A09690600	SELF-TPG SCREW TA/BH2.6X8	1	2-44
184	1	9A07421600	SELF-TAP SCREW TA/BH 3X10	1	2-45
185	1	9A09690700	SELF-TPG SCREW TA/BH 3X12	1	2-46
186	1	9A09686400	SELF-TPG SCREW TA/BH 3X12	1	2-47
187	1	9A09690800	SELF-TPG SCREW TA/PH 3X16	1	2-48
188	1	9A07983900	SELF-TPG SCREW TBIPH 3X6	1	2-49
189	1	9A09690900	SELF-TPG SCREW TA/KH 3X10	1	2-50
190	1	9A09691000	SELF-TPG SCREW TA/KH 3X12	1	2-51
191	1	9A09691100	SELF-TPG SCREWTA/WH2.6X12	1	2-52
192	1	9A09691200	SELF-TPG SCREW TT/BH 2X3	1	2-53
193	1	9A09697400	INSTRUCTION BOOK	1	
194	1	9A09697500	REMOTE CONTROL	1	

MFR.	OEM PARTS NO.
ARTS	01-EXM100030-00
ARTS	11-9014C0001-00
ARTS	11-9014C0001-00
ARTS	11-9014C0001-00
ARTS	11-9015C0001-00
ARTS	11-9015C0001-00
ARTS	11-9015C0001-00
ARTS	12-156103100-00
ARTS	15-0001N4148-00
ARTS	15-0001N4148-00
ARTS	15-0001N4148-00
ARTS	15-0001N4148-00
ARTS	15-0001N4148-00
ARTS	38-310000000-30
ARTS	48-EXM100030-02
ARTS	43-9A1501061-00
ARTS	43-9B2001051-00
ARTS	43-9B1001161-00
ARTS	43-9A1001301-00
ARTS	16-LB1641000-01
ARTS	16-LA6541D00-01
ARTS	16-LC78622NE-00
ARTS	16-LA9241M00-01
ARTS	16-LC5870082-00
ARTS	11-2SD1936T0-03
ARTS	11-2SA134602-03
ARTS	31-316935001-01
ARTS	31-104000500-18
ARTS	31-132762036-00
ARTS	56-07EXM1780-10
ARTS	01-EXM100007-00
ARTS	11-9014C0001-00
ARTS	11-9014C0001-00
ARTS	11-9014C0001-00
ARTS	11-9014C0001-00
ARTS	12-162103100-00
ARTS	15-0000RL202-00
ARTS	15-0001N4001-00
ARTS	15-0001N4148-00
ARTS	26-351030300-00
ARTS	43-9A2001051-00
ARTS	43-9A2001051-00
ARTS	43-9A2001071-00
ARTS	48-EXM100007-11
ARTS	26-353330300-00
ARTS	43-9A2001091-00
ARTS	43-9A2001031-00

ARTS	43-9A2001021-00
ARTS	43-9A2501041-00
ARTS	43-9A2501051-00
ARTS	46-235420100-01
ARTS	16-BA5417000-01
ARTS	16-LC7534200-00
ARTS	11-2SB772000-00
ARTS	11-8550C0002-00
ARTS	11-8550C0002-00
ARTS	11-KSD882Y02-01
ARTS	12-110203100-02
ARTS	12-182103100-00
ARTS	01-EXM100002-00
ARTS	11-9014C0001-00
ARTS	11-9014C0001-00
ARTS	12-156103100-00
ARTS	15-SVC201SPA-11
ARTS	15-SVC321SPA-11
ARTS	15-0001N4148-00
ARTS	28-120110100-02
ARTS	32-211801100-00
ARTS	38-203510004-00
ARTS	40-0000660R2-18
ARTS	40-0000A0494-18
ARTS	48-EXM100002-00
ARTS	43-9A2001071-00
ARTS	31-210705100-20
ARTS	31-245003015-20
ARTS	16-LC7213100-01
ARTS	16-LA1823000-00
ARTS	38-204510004-00
ARTS	38-206820010-00
ARTS	11-8050C0002-00
ARTS	31-610705021-01
ARTS	31-145004000-18
ARTS	01-EXM100023-00
ARTS	48-EXM100023-00
ARTS	41-071000001-00
ARTS	56-04EXM10A1-B0
ARTS	61-61DCD2000-00
ARTS	61-11DV60000-00
ARTS	01-EXM100009-00
ARTS	48-EXM100009-00
ARTS	43-433802005-01
ARTS	56-54EXM11A1-10
ARTS	56-54EXM10A1-10
ARTS	56-54EXM12A1-10
ARTS	58-61AC230B3-00
ARTS	71-70DA23Z01-02
ARTS	56-07EXM1280-10
ARTS	01-EXM100005-00

ARTS	48-EXM100005-01
ARTS	41-151100000-0V
ARTS	43-9B2001071-00
ARTS	43-9B2001040-00
ARTS	43-9B2001031-00
ARTS	17-57138V400-02
ARTS	56-07EXM1180-10
ARTS	58-261230001-00
ARTS	56-57EXM1520-40
ARTS	58-44NSX2000-00
ARTS	56-760000000-JA
ARTS	56-24EXM1380-10
ARTS	58-04NSX2000-00
ARTS	56-24EXM1180-10
ARTS	56-24EXM1280-10
ARTS	56-24EXM1080-10
ARTS	56-24EXM1480-10
ARTS	68-013010057-00
ARTS	68-023008042-00
ARTS	68-013210107-00
ARTS	66-220300431-00
ARTS	66-230300631-00
ARTS	66-421301431-00
ARTS	66-421301831-00
ARTS	66-431300831-00
ARTS	66-431301031-00
ARTS	66-431301231-00
ARTS	56-14EXM10A1-10
ARTS	56-58EXM1180-10
ARTS	56-57EXM1110-70
ARTS	56-57EXM1200-70
ARTS	56-57EXM1300-70
ARTS	57-26EXM1000-00
ARTS	56-57EXM1400-70
ARTS	56-07EXM1090-10
ARTS	01-EXM100016-00
ARTS	48-EXM100016-00
ARTS	13-1SB14E200-00
ARTS	56-07EXM1880-10
ARTS	01-EXM100004-00
ARTS	13-1SB14E200-00
ARTS	48-EXM100004-00
ARTS	13-1MSC32DC0-31
ARTS	13-5EXM10000-02
ARTS	56-14EXM11A1-10
ARTS	56-57EXM1600-70
ARTS	56-13EXM10A1-10
ARTS	61-97EXM1000-00
ARTS	56-07EXM16A1-10
ARTS	56-24EXM1580-10
ARTS	56-24EXM1680-10

ARTS	61-11EXM1001-00
ARTS	56-55EXM10A1-10
ARTS	71-06EXM1000-20
ARTS	61-76SCD6600-00
ARTS	61-11EXM1000-00
ARTS	01-EXM100020-00
ARTS	11-9014C0001-00
ARTS	11-9015C0001-00
ARTS	43-9A2001041-00
ARTS	40-621000100-08
ARTS	48-EXM100020-00
ARTS	16-BA3308000-02
ARTS	41-191100100-03
ARTS	41-132212809-0V
ARTS	58-01EXM1000-00
ARTS	56-06EXM11A1-A0
ARTS	61-250066000-00
ARTS	61-26SX88000-00
ARTS	61-260066000-00
ARTS	56-05EXM10A1-B0
ARTS	57-083225001-07
ARTS	57-082213001-07
ARTS	56-07EXM1380-10
ARTS	56-07EXM1480-10
ARTS	61-11EXM1002-00
ARTS	18-2573EXM10-19
ARTS	56-07EXM1580-10
ARTS	56-06EXM10A1-A0
ARTS	58-261230001-00
ARTS	45-111830104-06
ARTS	68-013210107-00
ARTS	66-230300631-00
ARTS	66-250300831-00
ARTS	66-421260831-00
ARTS	66-421301031-00
ARTS	66-421301231-00
ARTS	66-431301231-00
ARTS	66-431301631-00
ARTS	66-432300631-00
ARTS	66-451301031-00
ARTS	66-451301231-00
ARTS	66-481261231-00
ARTS	66-520200331-00
ARTS	77-20EXM1000-00
ARTS	01-EXM100000-00